

MARKS PRYOR

MARKING TECHNOLOGY

Very Fast

Robust

Deep Marking

**Large Marking
Window**

Electromagnetic

**Optional Pneumatic
Attachment**



INTELLIGENT MARKING SOLUTIONS

Marktronic P130 - 30E / 40E

Portable Handheld Marking System

Portable and powerful dot marking machine capable of indenting components with deep marks. Robust mechanism and steel housing especially well suited to industrial applications. Electric Solenoid and large marking area

Applications Include:

- 2D DataMatrix marking
- Component traceability
- Steel stock marking
- Serial numbering
- Chassis VIN marking
- Time and Date marking
- Cast and forge marking
- Part numbering
- Time and date marking
- Batch and shift coding
- Programmable marking
- Component identification

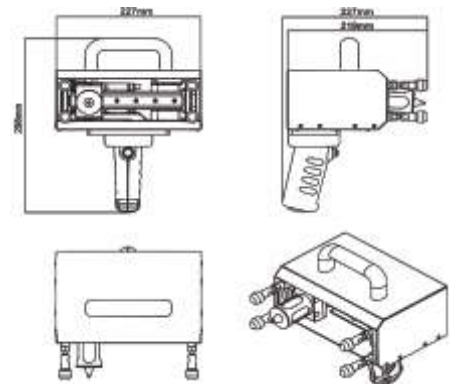


*Excellent Marking Quality
Highly Flexible*

www.markspryor.com

Technical Specifications

	130-30	130-40
Marking Area:	130mm x 30mm	130mm x 40mm
Stylus Length:	50mm	100mm
Character Sizes:	0.30mm - 99.9mm in increments of 0.30mm	
Marking Formed:	5 x 7, 7 x 9, Varidot, OCR fonts	
Memory Capacity:	3000 Controller: 1350 Layouts, PC: Unlimited	
Weight:	Marking head: 5kg Controller: 10 kg	
Electrical Supply:	220 50Hz, 110v 60Hz	



Marks Pryor reserves the right to amend product specifications without notice

Robust and Fast

- Professional design for industrial applications
- Robust components in steel housing
- Very fast and accurate
- High torque motors and precision lead screw

Powerful Electromagnetic Dot Marking

- Deep permanent marks
- High consistency of marking depth
- Fully controlled number of dots per character and dot location
- Mark most engineering materials, plastic to 62HRc steel
- Quieter than pneumatically operated machines

Excellent Marking Quality

- Highest marking legibility of numbers and letters
- Company logo marking with high precision
- Excellent Data Matrix marks, improves reading rate

Highly Flexible

- Large marking area of 130x30mm or 130x40mm
- 3 meter cord
- Convert to bench-top machine with base and column Option

Easy to use out of the box

- User friendly software reducing operator training
- Software preloaded in controller

Controller and Interface

- No need for a separate PC
- Very large and high contrast screen allowing preview
- 2 x RS232, Ethernet TCP/IP (optional) and digital I/O ports
- Windows® PC based software available

Marking Software Features

Among extensive features available as standard:

- Straight, angular and arc marking, Data Matrix codes
- Logo marking - PLT files
- Serial numbers, date and time marking
- Choice of character definition and size marking force

Options

- Column and base • 6 meter cable
- Barcode reader • TCP/IP Ethernet network port
- Electromagnetic clamping
- Customized part locating or clamping

**MARKS
PRYOR**
MARKING TECHNOLOGY

AN ISO 9001-2008
COMPANY



QAC / R81 / 1520

MARKS PRYOR MARKING TECHNOLOGY PVT. LTD.

CORPORATE OFFICE & WORKS

Regd. Off.: Gat No. 135, Pirangut, Tal. Mulshi, Dist. Pune - 412 108. (M.S.) India.

Tel.: +91-20-66743300 / 66743301 Fax: +91-20-66743327, e-mail : info@markspryor.com

BRANCHES

- New Delhi • Mumbai • Bangalore • Ahmedabad • Chennai
- Coimbtore • Kolkata • Jamshedpur • Indore

www.markspryor.com